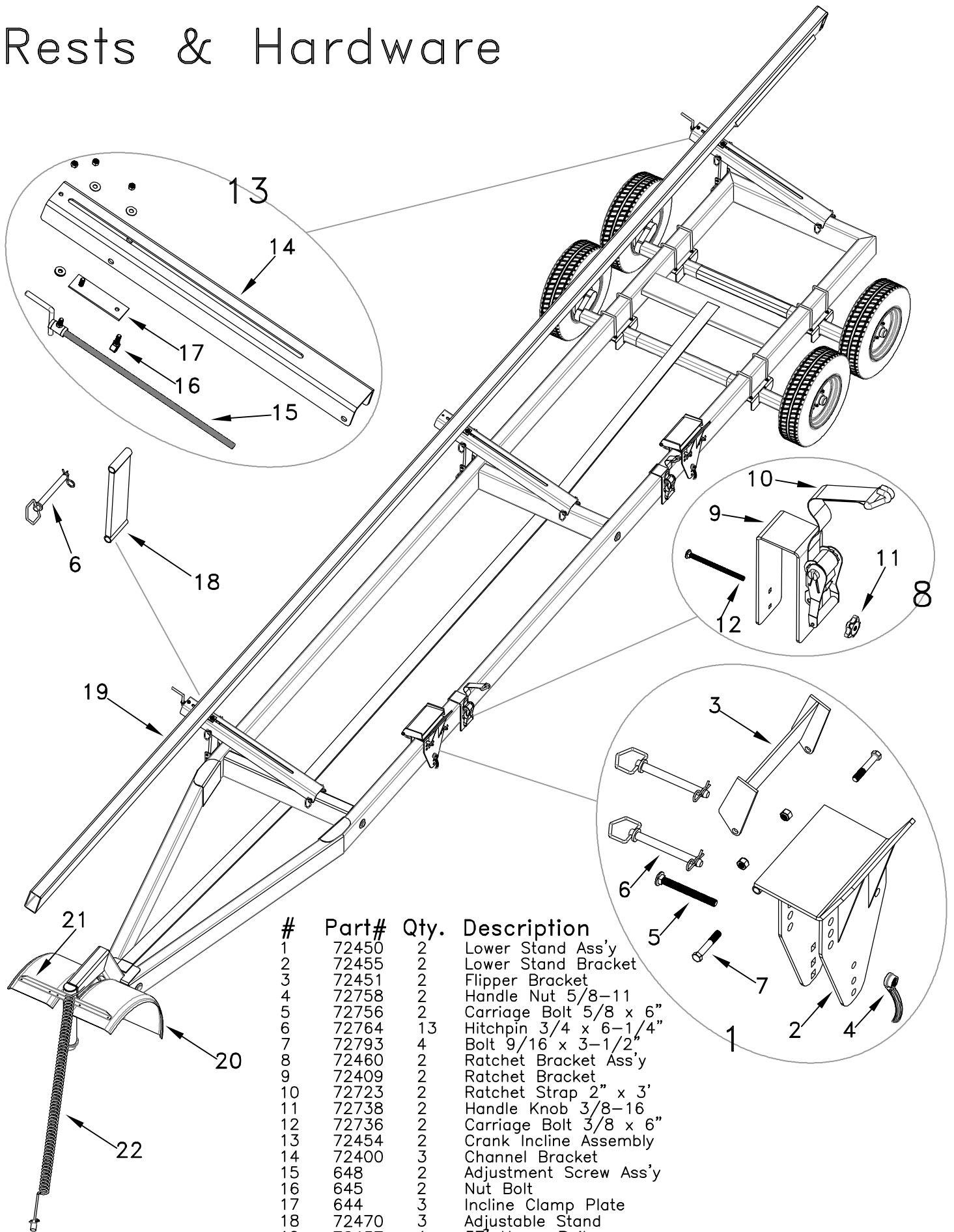
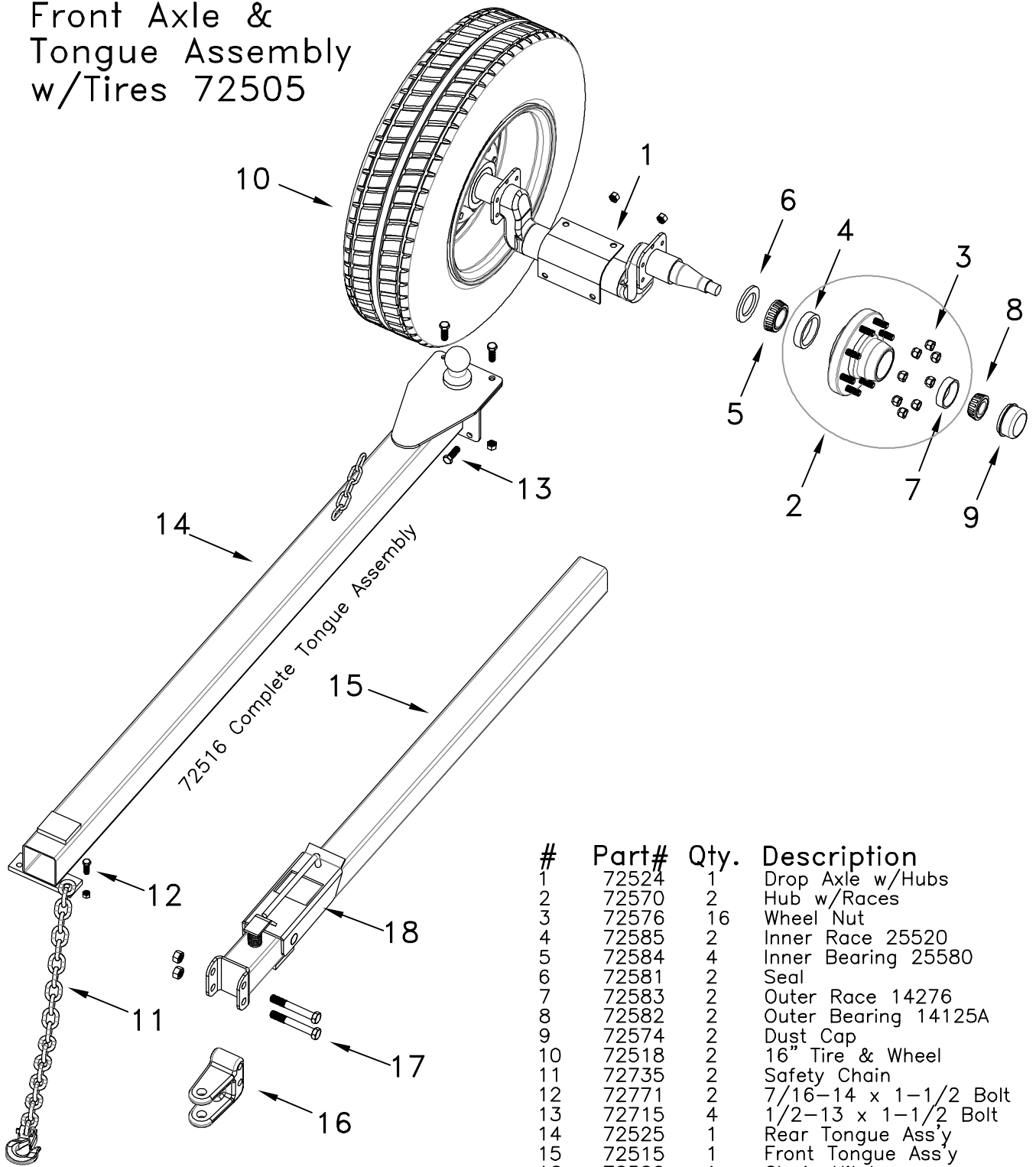


Rests & Hardware



#	Part#	Qty.	Description
1	72450	2	Lower Stand Ass'y
2	72455	2	Lower Stand Bracket
3	72451	2	Flipper Bracket
4	72758	2	Handle Nut 5/8-11
5	72756	2	Carriage Bolt 5/8 x 6"
6	72764	13	Hitchpin 3/4 x 6-1/4"
7	72793	4	Bolt 9/16 x 3-1/2"
8	72460	2	Ratchet Bracket Ass'y
9	72409	2	Ratchet Bracket
10	72723	2	Ratchet Strap 2" x 3'
11	72738	2	Handle Knob 3/8-16
12	72736	2	Carriage Bolt 3/8 x 6"
13	72454	2	Crank Incline Assembly
14	72400	3	Channel Bracket
15	648	2	Adjustment Screw Ass'y
16	645	2	Nut Bolt
17	644	3	Incline Clamp Plate
18	72470	3	Adjustable Stand
19	72437	1	37' Upper Rail
19	72442	1	42' Upper Rail
19	72448	1	48' Upper Rail
20	72381	2	Poly Fender
21	72332	2	Fender Bracket
22	72615	1	15' Wiring Coupler

Front Axle & Tongue Assembly w/Tires 72505



#	Part#	Qty.	Description
1	72524	1	Drop Axle w/Hubs
2	72570	2	Hub w/Races
3	72576	16	Wheel Nut
4	72585	2	Inner Race 25520
5	72584	4	Inner Bearing 25580
6	72581	2	Seal
7	72583	2	Outer Race 14276
8	72582	2	Outer Bearing 14125A
9	72574	2	Dust Cap
10	72518	2	16" Tire & Wheel
11	72735	2	Safety Chain
12	72771	2	7/16-14 x 1-1/2 Bolt
13	72715	4	1/2-13 x 1-1/2 Bolt
14	72525	1	Rear Tongue Ass'y
15	72515	1	Front Tongue Ass'y
16	72520	1	Clevis Hitch
17	72745	2	5/8-11 x 4-1/2 Bolt
18	72510	1	Latch (welded)