

OPERATORS MANUAL
&
PARTS BOOK

510 GRAIN CART



1050 E. COLUMBIA
P.O. BOX 168
ARTHUR, IL 61911

TOLL FREE: 800-677-2802
PHONE: 217-543-3471
WWW.E-ZTRAIL.COM

WARNING

Do not attempt to clean, adjust, lubricate, or enter the grain cart while any part is in operation.

Do not start the machine without all guards & shields in place & in good working condition.

Do not operate on public roads unless equipped with proper lighting or warning devices. It is the responsibility of the user & owner to install lighting or other equipment as required by state & federal laws.

Do not allow children to play on or around the grain cart.

OPERATION

The indicator flag on the front of the cart shows the position of the inner door.

When engaging the PTO, the door should be closed & and the tractor should be running at low RPM's to prolong the life of the driveline & gearbox.

With the auger running, open the door to begin unloading grain. Do not exceed 750 PTO RPM for maximum efficiency & auger life.

When the cart is nearly empty, the door can be partially closed to provide better clean out.

Over tightening of the shear bolt on the front PTO yoke creates excessive friction, which drastically increases shear torque and can damage or result in premature failure of the gearbox. Always use a locknut on the shearbolt and leave the nut loose enough that you can turn the bolt with your fingers.

The top auger must remain locked in the unloading position while the PTO is engaged. Folding the top auger while the auger is turning can cause damage to the augers.

The top auger is equipped with an over-center lock to hold the auger in unloading position. If the auger will not fold down, the lock may be going too far over center. To correct this, a shim can be placed between the square bar & the stop pin on the linkage bars.

MAINTENANCE

Grease regularly:

- PTO Shaft
- U-joint at Gearbox
- Bearing at Top of Lower Auger
- Bearing at Top of Top Auger
- Auger Hinge
- Auger Over-Center Lock
- Swivel Hitch

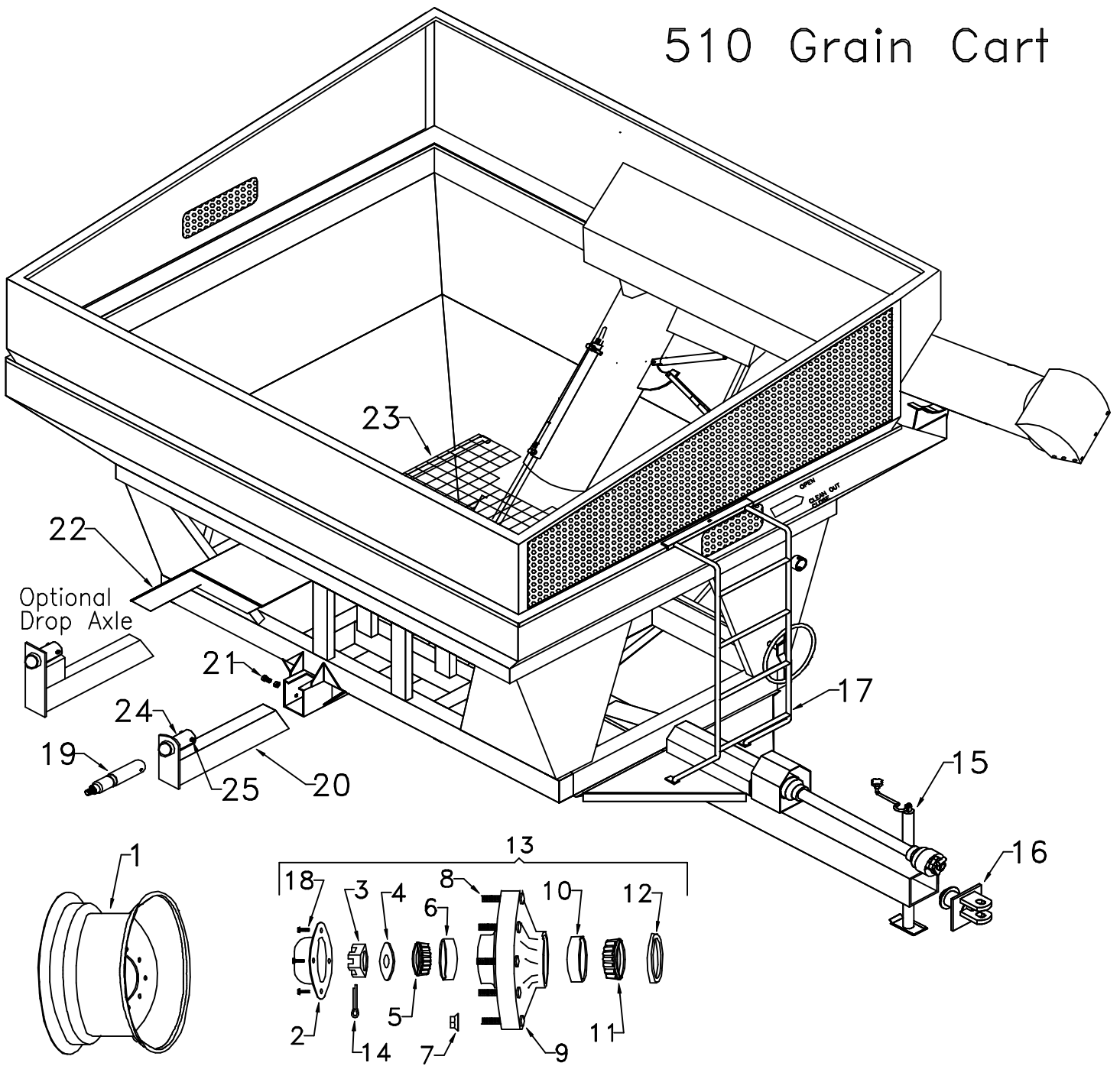
Approximate Tire Inflations:

- 18.4 x 26 ... 35 PSI
- 23.1 x 26 ... 33 PSI
- 24.5 x 32 ... 30 PSI
- 30.5 x 32 ... 30 PSI.

Before first use, then annually:

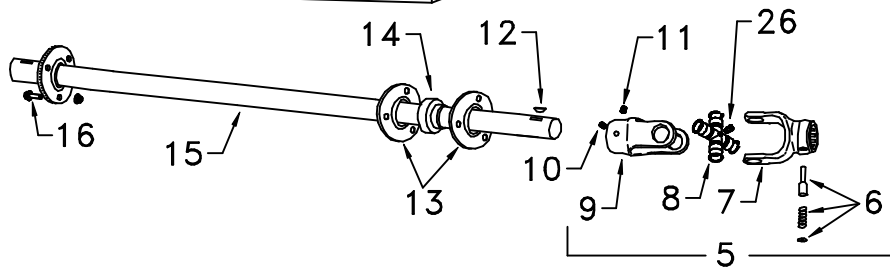
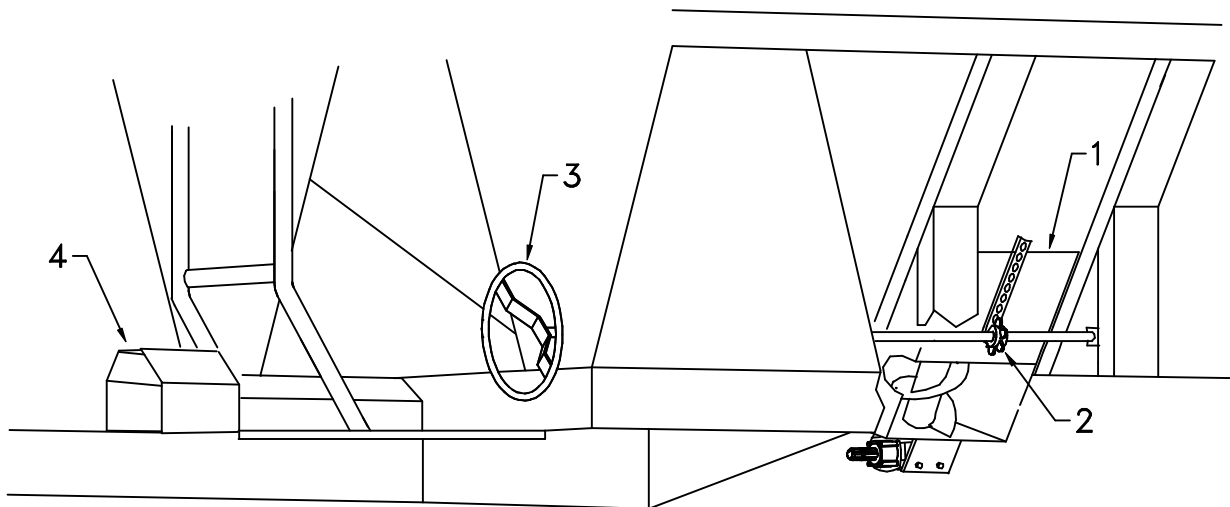
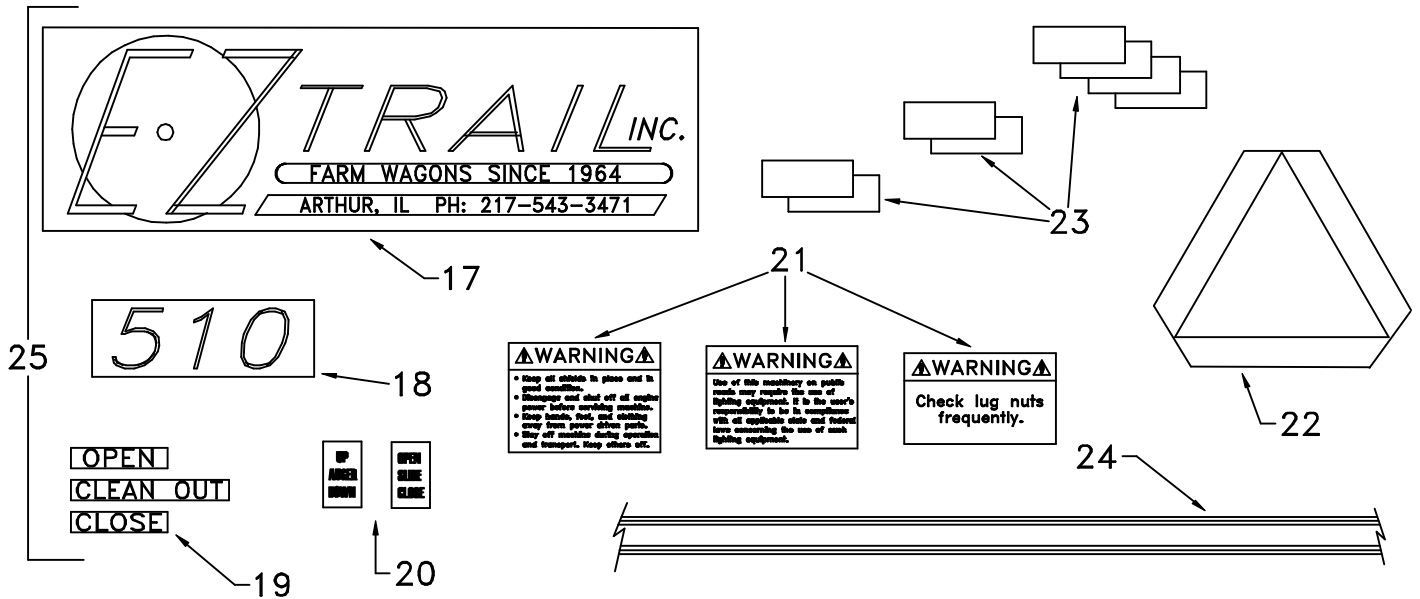
- Check gearbox oil level, use 90W oil.
- Check wheel bearings for sufficient grease & proper adjustment.

510 Grain Cart



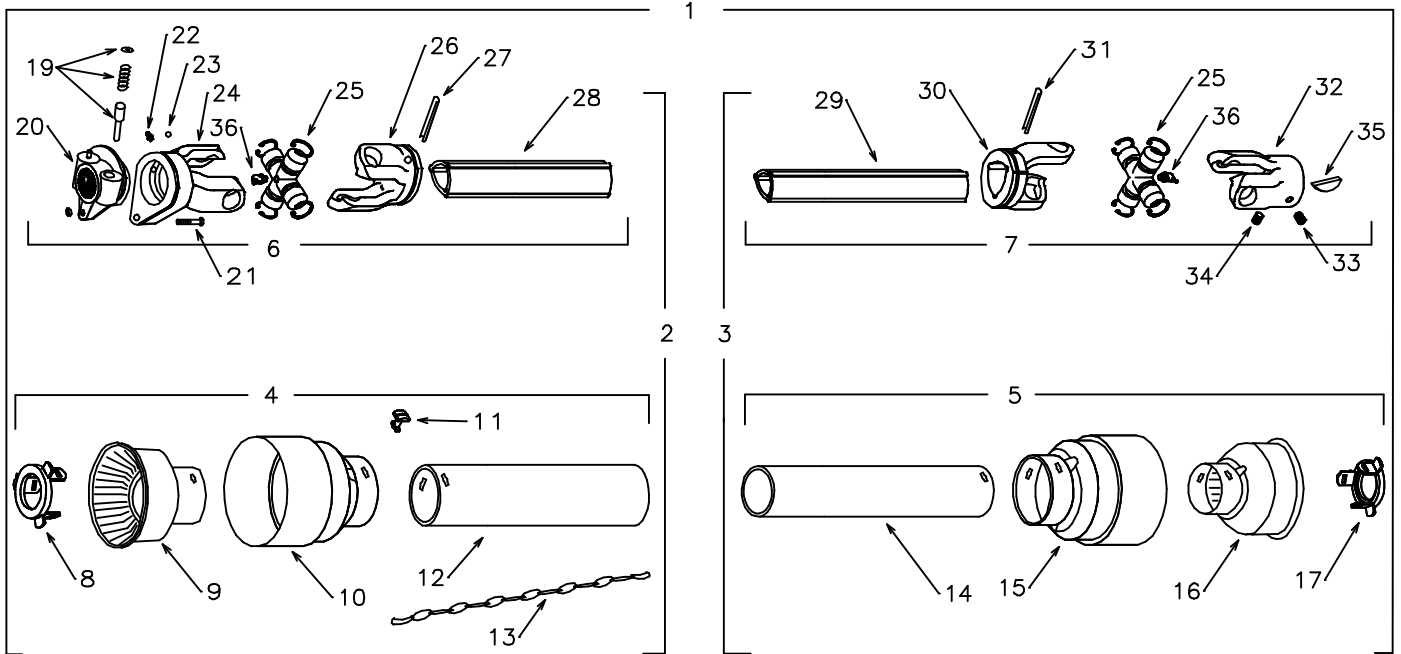
| # | Part# | Qty. | Description |
|----|-------|------|----------------------------|
| 1 | 50416 | 2 | Wheel 26x16-18.4 |
| 1 | 50420 | 2 | Wheel 26x20-23.1 |
| 1 | 50418 | 2 | Wheel 38x18 |
| 1 | 50417 | 2 | Wheel 42x16 |
| 2 | 50455 | 2 | Hub Cap |
| 3 | 50452 | 2 | Slotted Nut |
| 4 | 50451 | 2 | Washer |
| 5 | 50460 | 2 | Outer Bearing |
| 6 | 50453 | 2 | Outer Race |
| 7 | 50655 | 20 | Wheel Nut |
| 8 | 50542 | 20 | Wheel Stud |
| 9 | 50549 | 2 | Hub |
| 10 | 50540 | 2 | Inner Race |
| 11 | 50545 | 2 | Inner Bearing |
| 12 | 50541 | 2 | Grease Seal |
| 13 | 50548 | 2 | Hub Assembly |
| 14 | 50458 | 1 | Cotter Pin |
| 15 | 50576 | 2 | Jack Assembly |
| 16 | 50509 | 1 | Swivel Hitch Assembly |
| 17 | 50441 | 1 | Ladder |
| 18 | 50459 | 8 | 5/16 x 1/2 Bolt |
| 19 | 50551 | 2 | Spindle, Bolt-In |
| 20 | 50566 | 2 | Axle w/Sleeve |
| | 50568 | 2 | Drop Axle w/ Sleeve |
| 21 | 50386 | 6 | 3/4 x 2 Bolt w/Jam Nut |
| 22 | 50142 | 1 | RH Fender |
| 22 | 50143 | 1 | LH Fender |
| 23 | 50177 | 1 | Safety Grate Assembly |
| 24 | 50560 | 2 | Spindle Sleeve |
| 25 | 50552 | 1 | 5/8 X 4-1/2 Bolt & Locknut |

Decals – All Carts



| # | Part# | Qty. | Description | # | Part# | Qty. | Description |
|----|-------|------|---------------------------|----|-------|------|-------------------------|
| 1 | 50140 | 1 | Outer Door | 14 | 50477 | 2 | 1-1/4 Bearing W/Collar |
| 2 | 4241 | 1 | 6 Tooth Pinion Gear | 15 | 50686 | 1 | 86" Drive Shaft |
| 3 | 50147 | 1 | Handwheel & Shaft 510 | 16 | | 6 | 3/8 x 3/4 Bolt W/Nut |
| 3 | 50148 | 1 | Handwheel & Shaft 710,860 | 17 | 50246 | 2 | E-Z Trail Decal |
| 4 | 50243 | 1 | "Doghouse" PTO Guard | 18 | 50247 | 2 | Model # Decal (Specify) |
| 5 | 50622 | 1 | U-Joint Assy. | 19 | 50250 | 1 | Indicator Decal Set |
| 6 | 50278 | 1 | Push Pin Set | 20 | 50251 | 1 | Hose Decal Set |
| 7 | 50298 | 1 | Gearbox Yoke W/Pin | 21 | 50252 | 1 | Warning Decal Set |
| 8 | 50284 | 1 | Cross Kit | 22 | 50253 | 1 | SMV Decal |
| 9 | 50291 | 1 | Machine Yoke | 23 | 50154 | 1 | Reflector Set |
| 10 | 50292 | 1 | Set Screw 3/8 x 3/8 | 24 | 50255 | 1 | 47 Ft. Stripe |
| 11 | 50293 | 1 | Set Screw 3/8 x 1/2 | 25 | 50256 | 1 | Grain Cart Decal Set |
| 12 | 50294 | 1 | Half Moon Key 5/16 x 1.25 | 26 | 50295 | 1 | Grease Zerk |
| 13 | 50476 | 4 | 3 Hole Flange | | | | |

PTO Parts for all Grain Carts



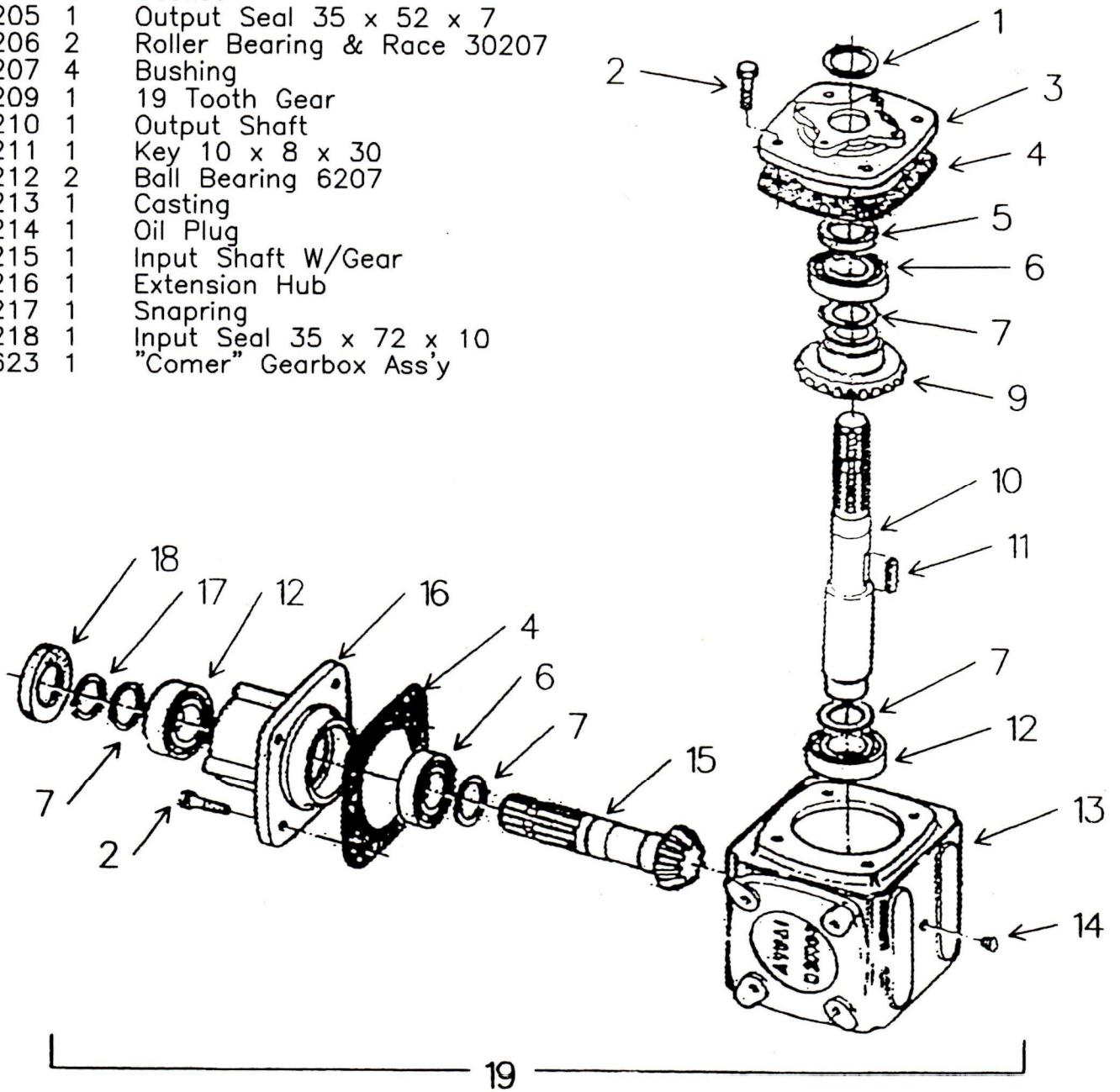
| # | Part# | Qty. | Description | # | Part# | Qty. | Description |
|----|-------|------|-------------------------------|----|-------|------|--------------------------|
| 1 | 50615 | 1 | 1000 RPM, 1-3/8 PTO Assy. | 19 | 50278 | 2 | Push Pin Set |
| 2 | 50616 | 1 | Front 1/2 PTO | 20 | 50279 | 1 | Front Spline, W/Pins |
| 3 | 50617 | 1 | Rear 1/2 PTO | 21 | 50280 | 1 | Shear Bolt w/locknut |
| 4 | 50618 | 1 | Front Shield Assy. | 22 | 50281 | 1 | Grease Zerk |
| 5 | 50619 | 1 | Rear Shield Assy. | 23 | 50282 | 1 | Set of Balls (24) |
| 6 | 50265 | 1 | Front Shaft Assy. | 24 | 50283 | 1 | Tractor Yoke |
| 7 | 50266 | 1 | Rear Shaft Assy. | 25 | 50284 | 2 | Cross Kit |
| 8 | 50267 | 1 | Front Shield Retaining Collar | 26 | 50285 | 1 | Front Yoke |
| 9 | 50268 | 1 | Front Shield Inner Bell | 27 | 50286 | 1 | Roll Pin |
| 10 | 50269 | 1 | Front Shield Outer Bell | 28 | 50287 | 1 | Front Shaft |
| 11 | 50270 | 6 | Shield Retaining Clips | 29 | 50288 | 1 | Rear Shaft |
| 12 | 50271 | 1 | Front Shield Tube | 30 | 50289 | 1 | Rear Yoke |
| 13 | 50272 | 2 | Safety Chains | 31 | 50290 | 1 | Roll Pin |
| 14 | 50273 | 1 | Rear Shield Tube | 32 | 50291 | 1 | Machine Yoke |
| 15 | 50274 | 1 | Rear Shield Outer Bell | 33 | 50292 | 1 | Set Screw 3/8 x 3/8 |
| 16 | 50275 | 1 | Rear Shield Inner Bell | 34 | 50293 | 1 | Set Screw 3/8 x 1/2 |
| 17 | 50276 | 1 | Rear Shield Retaining Collar | 35 | 50294 | 1 | Half Moon Key 5/16x1-1/4 |
| | | | | 36 | 50295 | 2 | Grease Zerk, 45°, 8mm |

Optional 1000 RPM, 1-3/4 PTO:

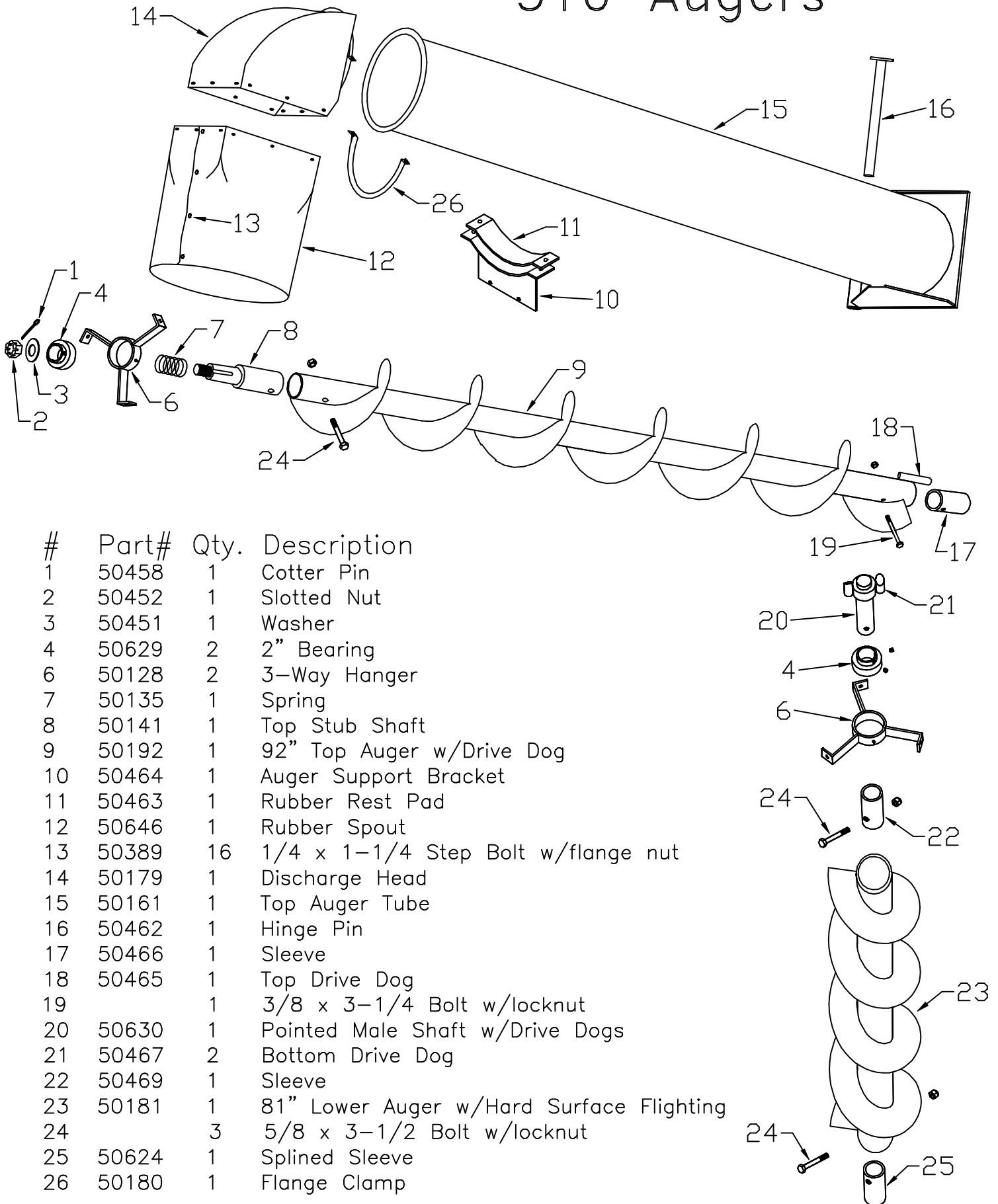
| | | | |
|----|-------|---|---------------------------|
| 1 | 50315 | 1 | 1000 RPM, 1-3/4 PTO Assy. |
| 2 | 50316 | 1 | Front 1/2 PTO |
| 3 | 50317 | 1 | Rear 1/2 PTO |
| 4 | 50318 | 1 | Front Shield Assy. |
| 5 | 50319 | 1 | Rear Shield Assy. |
| 6 | 50365 | 1 | Front Shaft Assy. |
| 7 | 50366 | 1 | Rear Shaft Assy. |
| 25 | 50384 | 2 | Cross Kit |

Comer Gearbox

| # | Part# | Qty. | Description |
|----|-------|------|-----------------------------|
| 1 | 50201 | 1 | External Seal |
| 2 | 50202 | 8 | Cap Screw M 12 x 25 |
| 3 | 50203 | 1 | Cover |
| 4 | 50204 | 2 | Gasket |
| 5 | 50205 | 1 | Output Seal 35 x 52 x 7 |
| 6 | 50206 | 2 | Roller Bearing & Race 30207 |
| 7 | 50207 | 4 | Bushing |
| 9 | 50209 | 1 | 19 Tooth Gear |
| 10 | 50210 | 1 | Output Shaft |
| 11 | 50211 | 1 | Key 10 x 8 x 30 |
| 12 | 50212 | 2 | Ball Bearing 6207 |
| 13 | 50213 | 1 | Casting |
| 14 | 50214 | 1 | Oil Plug |
| 15 | 50215 | 1 | Input Shaft W/Gear |
| 16 | 50216 | 1 | Extension Hub |
| 17 | 50217 | 1 | Snapping |
| 18 | 50218 | 1 | Input Seal 35 x 72 x 10 |
| 19 | 50623 | 1 | "Comer" Gearbox Ass'y |

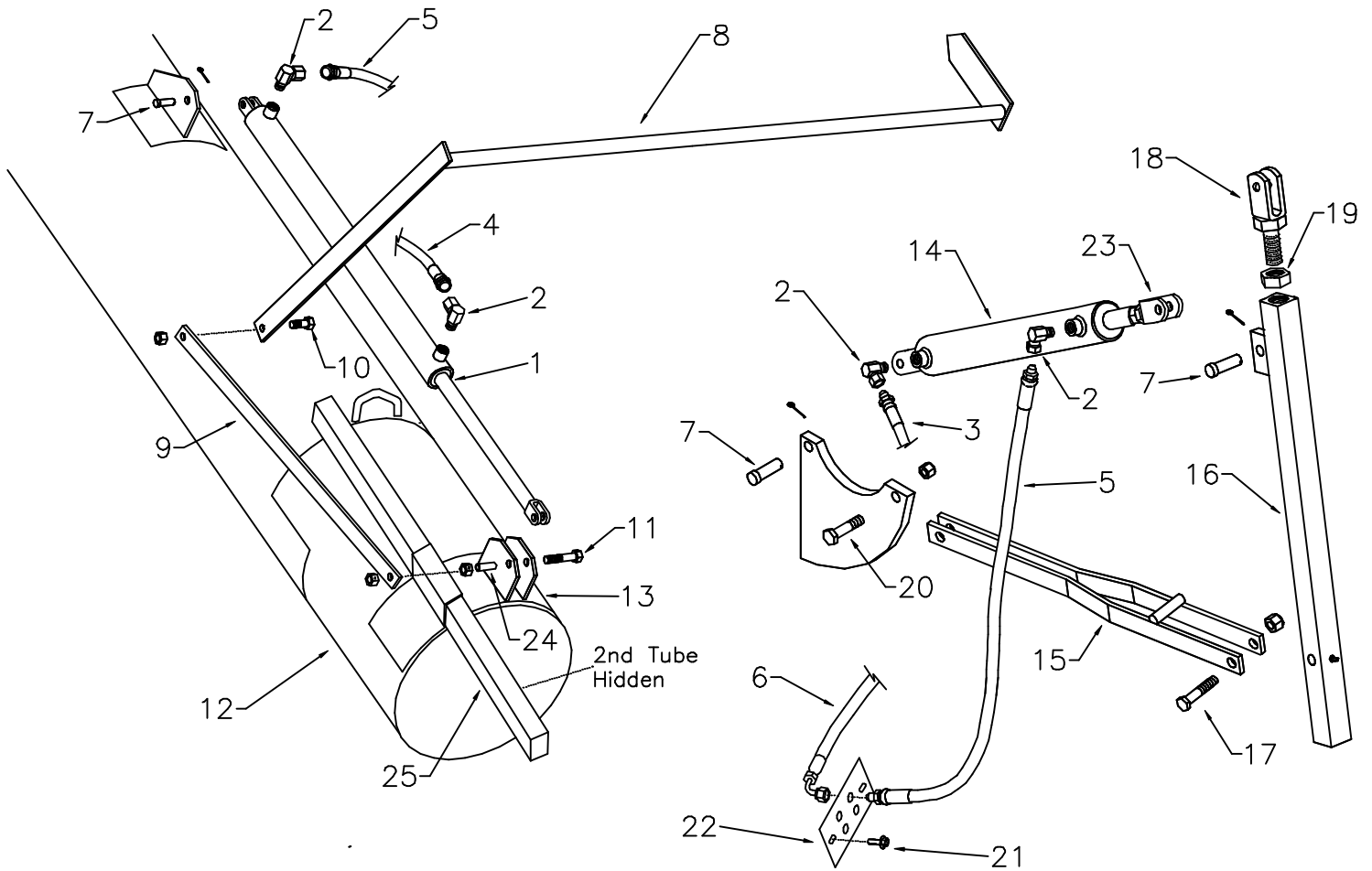


510 Augers



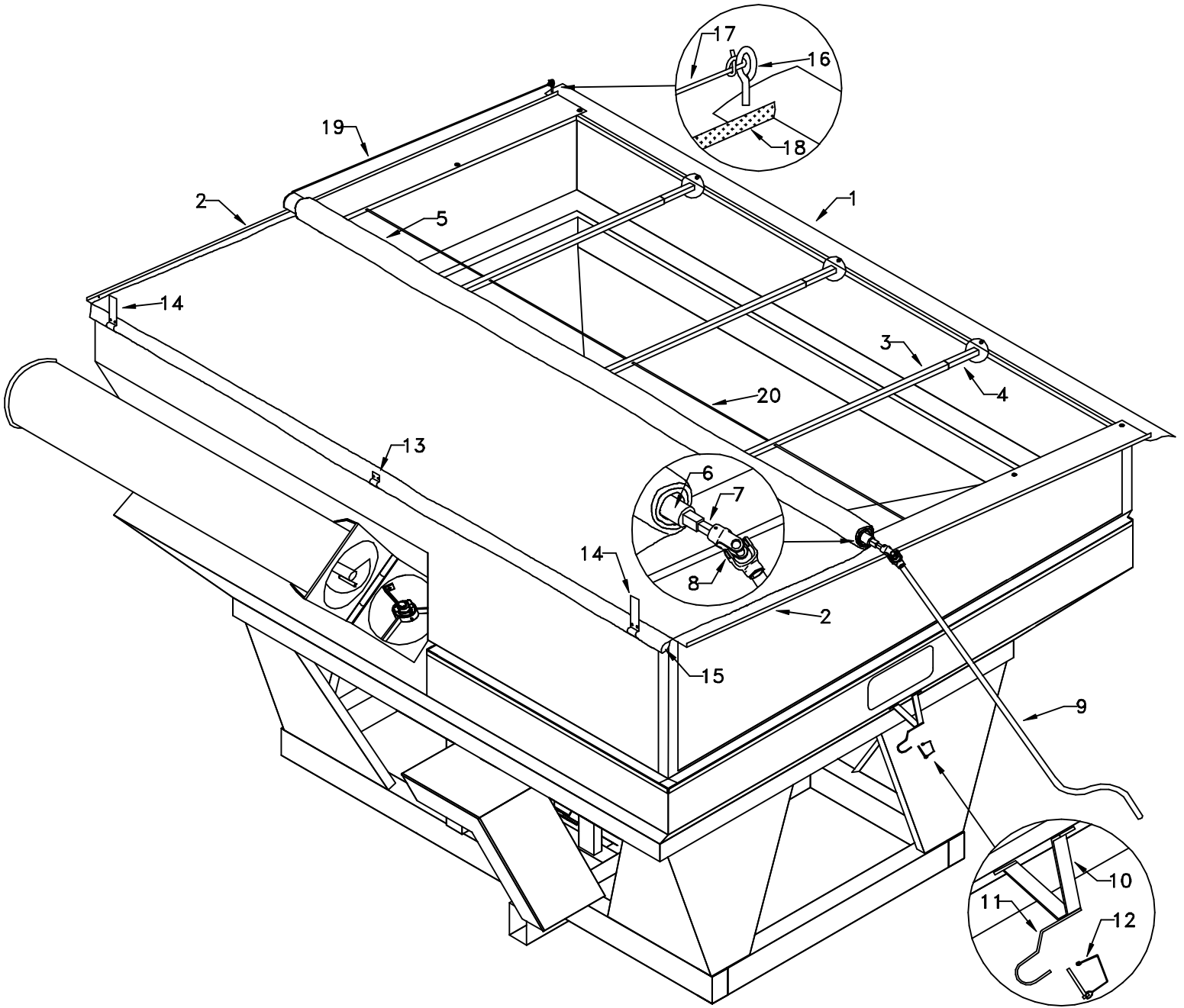
| # | Part# | Qty. | Description |
|----|-------|------|--|
| 1 | 50458 | 1 | Cotter Pin |
| 2 | 50452 | 1 | Slotted Nut |
| 3 | 50451 | 1 | Washer |
| 4 | 50629 | 2 | 2" Bearing |
| 6 | 50128 | 2 | 3-Way Hanger |
| 7 | 50135 | 1 | Spring |
| 8 | 50141 | 1 | Top Stub Shaft |
| 9 | 50192 | 1 | 92" Top Auger w/Drive Dog |
| 10 | 50464 | 1 | Auger Support Bracket |
| 11 | 50463 | 1 | Rubber Rest Pad |
| 12 | 50646 | 1 | Rubber Spout |
| 13 | 50389 | 16 | 1/4 x 1-1/4 Step Bolt w/flange nut |
| 14 | 50179 | 1 | Discharge Head |
| 15 | 50161 | 1 | Top Auger Tube |
| 16 | 50462 | 1 | Hinge Pin |
| 17 | 50466 | 1 | Sleeve |
| 18 | 50465 | 1 | Top Drive Dog |
| 19 | | 1 | 3/8 x 3-1/4 Bolt w/locknut |
| 20 | 50630 | 1 | Pointed Male Shaft w/Drive Dogs |
| 21 | 50467 | 2 | Bottom Drive Dog |
| 22 | 50469 | 1 | Sleeve |
| 23 | 50181 | 1 | 81" Lower Auger w/Hard Surface Flighting |
| 24 | | 3 | 5/8 x 3-1/2 Bolt w/locknut |
| 25 | 50624 | 1 | Splined Sleeve |
| 26 | 50180 | 1 | Flange Clamp |

510 Cylinders & Hoses



| # | Part# | Qty. | Description |
|----|-------|------|----------------------------------|
| 1 | 50127 | 1 | 2-1/2" x 27" Cylinder |
| | 50113 | 1 | 2-1/2" Cylinder Seal Kit |
| 2 | 50410 | 4 | 90 Deg. Fitting |
| 3 | 50103 | 1 | 20" Hydraulic Line |
| 4 | 50402 | 1 | 40" Hydraulic Line |
| 5 | 50401 | 2 | 32" Hydraulic Line |
| 6 | 50406 | 4 | 84" Hydraulic Line, 90 Deg. Ends |
| | 50604 | 4 | 112" Hydraulic Line to Tractor |
| 7 | 50412 | 4 | Clevis Pin W/Cotter Pin |
| 8 | 50131 | 1 | Indicator Assembly |
| 9 | 50133 | 1 | Indicator Linkage Arm |
| 10 | | 1 | 1/2 x 1 Bolt W/Lock Nut |
| 11 | | 1 | 1/2 x 4-1/2 Bolt w/Lock Nut |
| 12 | 50114 | 1 | Sliding Tube Door |
| 13 | 50115 | 1 | Cylinder Anchor Bracket Assembly |
| 14 | 50612 | 1 | 2" x 12" Cylinder (Includes #23) |
| | 50613 | 1 | 2" Cylinder Seal Kit |
| 15 | 50606 | 1 | Auger Lock Linkage Bars |
| 16 | 50608 | 1 | Auger Lock Square Bar |
| 17 | | 1 | 1/2 x 3 Bolt w/Lock Nut |
| 18 | 50607 | 1 | 7/8" Clevis Bolt |
| 19 | 50601 | 1 | 7/8" Jam Nut |
| 20 | | 1 | 1/2 x 2-1/4 Bolt w/Lock Nut |
| 21 | | 4 | 3/8 x 3/4 Flange Bolt |
| 22 | 50411 | 2 | Hose Plate |
| 23 | 50673 | 1 | 5/8" Clevis Bolt |
| 24 | 50116 | 1 | Spacer |
| 25 | 50130 | 1 | Slide Rail Set |

510 ROLL TARP



| # | Part# | Qty. | Description | | | | |
|---|-------|------|-------------------|----|-------|---|-------------------------|
| 1 | 4813 | 1 | Latch Plate | 10 | 50848 | 1 | Crank Retaining Bracket |
| 2 | 50865 | 1 | Shelf Plate | 11 | 50849 | 1 | Crank Retainer |
| 3 | 50856 | 3 | Long Cross Tube | 12 | 50851 | 1 | Crank Retaining Pin |
| 4 | 50855 | 3 | Short Cross Tube | 13 | 4851 | 1 | Tarp Clamp |
| 5 | 50844 | 1 | Tarp | 14 | 50850 | 2 | Straight Tarp Stop |
| 6 | 4833 | 1 | Roll Tube | 15 | 4863 | 1 | Fastening Pipe |
| 7 | 4839 | 1 | Square Drive Tube | 16 | 4868 | 1 | Eyebolt |
| 8 | 4840 | 1 | U-Joint | 17 | 4859 | 1 | Bungee Cord |
| 9 | 4845 | 1 | Crank | 18 | 4860 | 1 | Edge Trim |
| | | | | 19 | 4858 | 1 | Roll Plug |
| | | | | 20 | 50882 | 1 | Center Rod |